

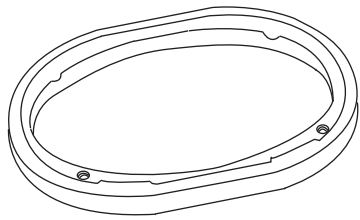
PULSE 6x9

*Coaxial Loudspeaker
Installation Instructions*

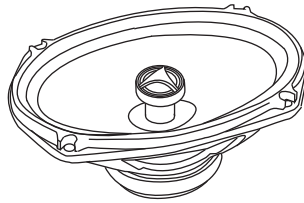


www.morelhifi.com

Content - 6x9



X2



X2



X2

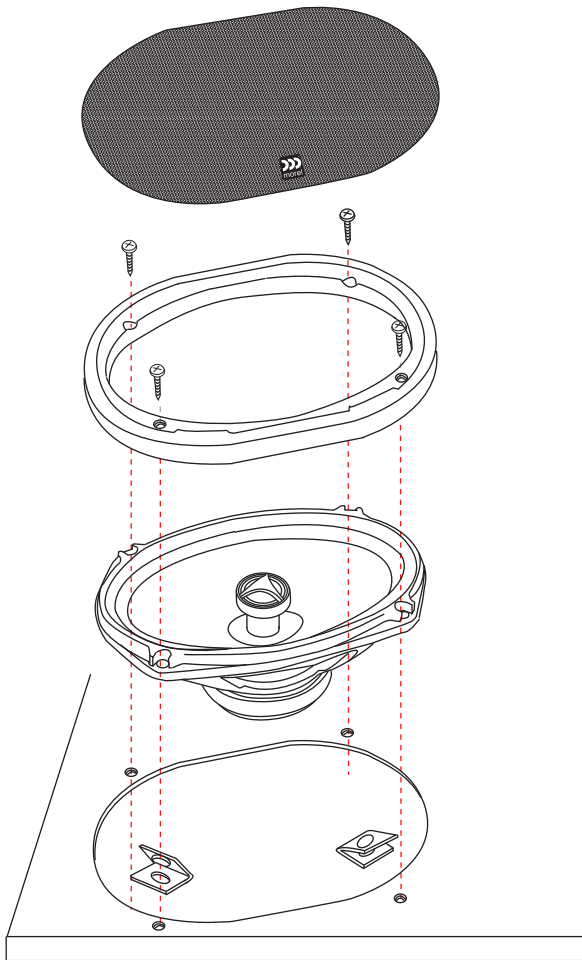


X8



X8

Loudspeaker mounting



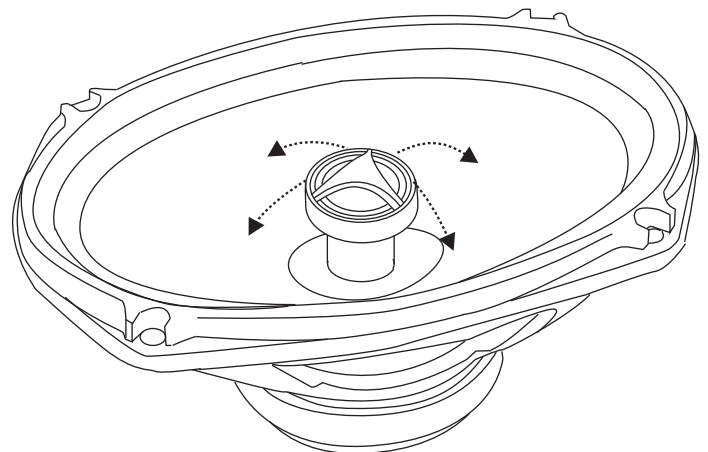
Tweeter tilt adjustment

Sound optimization using Morel's swivel tweeter mount.

Sound tuning a car can be a difficult task due to its off-axis listening requirements. The task is never easy, but can be easier if the speaker components are designed to work in this environment. Morel is investing great efforts to develop products that will enable you to optimize the sound in your car.

The Pulse 6X9 loudspeaker features a 25 mm soft dome tweeter with a low resonance point, which enables the tweeter to produce a wider frequency range in the lower midrange band. To optimize the speaker's performance, the tweeter can be swiveled within its mount and directed to a desired point.

When listening to your speakers, try to tilt the tweeters to different directions until the best sound imaging and balance is achieved. Keep in mind that having the tweeters directed towards the listener is not necessarily the best setting. In some cases, tilting the tweeters toward the windshield or other directions can attain better results.



SPECIFICATION	PULSE 6x9
Diameter (main unit)	165 mm x 235 mm (6x9")
Power Handling	150 W
Max. Transient Power	300 W
Sensitivity (dB)	90 dB
Impedance	4 Ohm
Frequency Response	35-22000 Hz
Mounting Depth	80 mm (3.1")
Magnet System Woofer	Ferrite, Center Pole,
Tweeter Type	Neodymium, EVC™ soft dome
Voice Coil Diam	25mm (1")
Colling Liquid	Ferrofluid
Crossover Point	4000 Hz / 6 dB