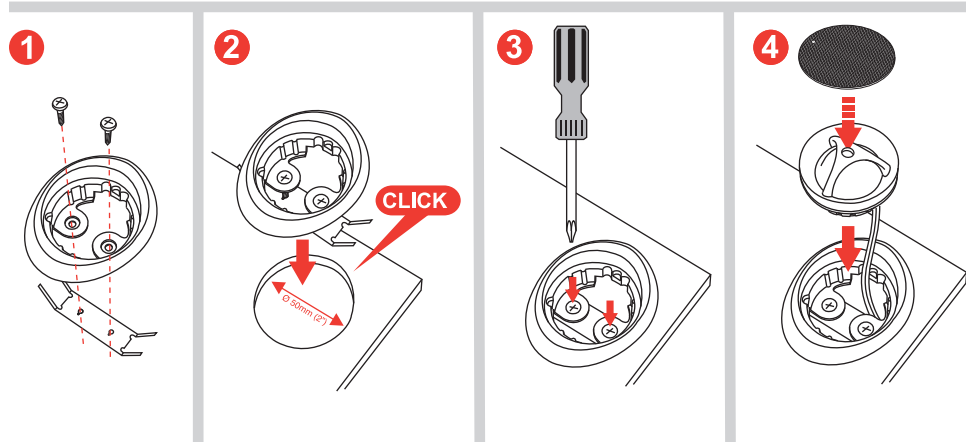
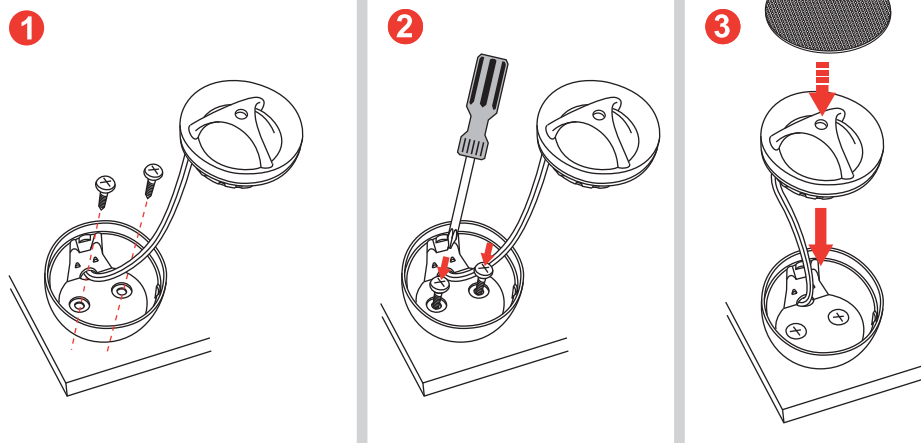


## Flush mounting for 50 mm (1.96") cutout



## Surface mounting option 2



## Specifications

2-Way System		Maximo 5 1/4"	Maximo 6 1/2"
Nominal Impedance		4 ohm	4 ohm
Power Handling		80W	90W
Max. Transient Power Handling		160W	180W
Sensitivity (2.83V/1M)		89dB	90.5dB
Frequency Response		50-20,000 Hz	50-20,000 Hz
Voice Coil Diameter	Woofers:	25mm(1")	25mm(1")
	Tweeters:	25mm(1")	25mm(1")
Voice Coil Wire		Copper	Copper
Magnet System	Woofers:	High grade ferrite magnet	High grade ferrite magnet
	Tweeters:	Neodymium	Neodymium
Mounting Depth		56mm (2.2")	63mm (2.5")

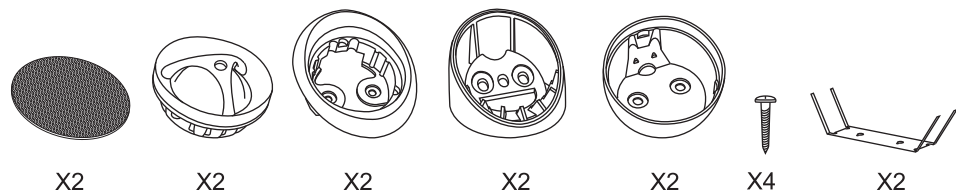
# maximo 2WAY 5 1/4" / 6 1/2"

## Component System Installation Instructions

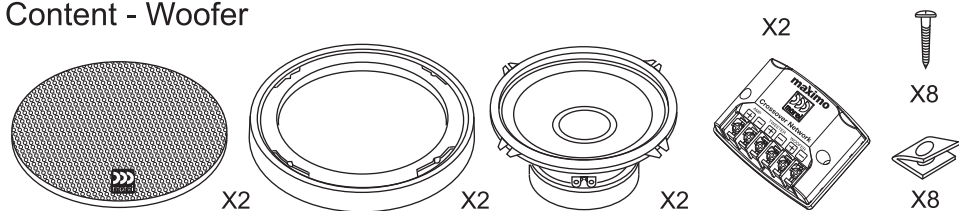


[www.morelhifi.com](http://www.morelhifi.com)

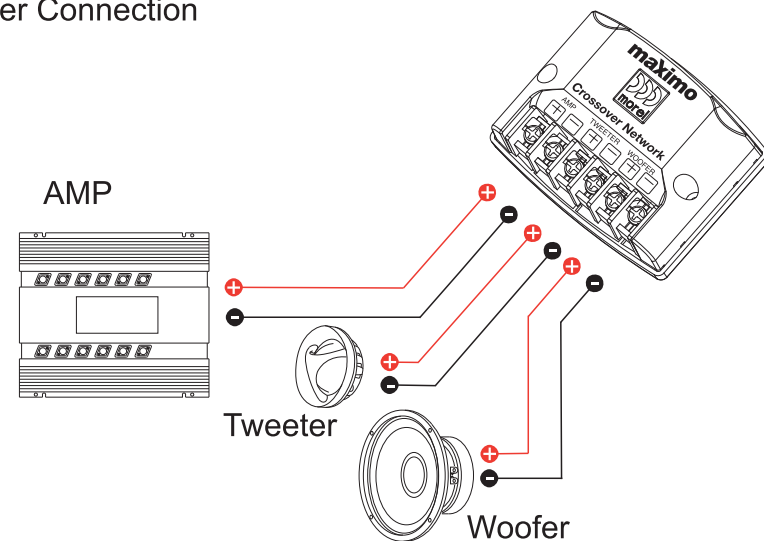
### Content - Tweeter



### Content - Woofer



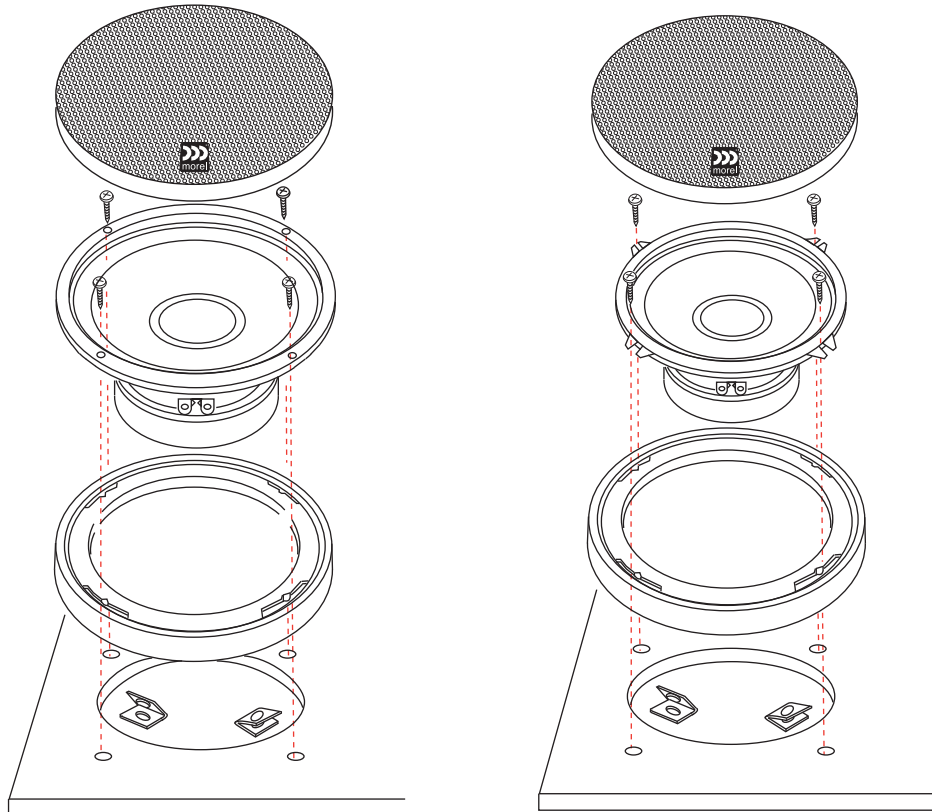
### Crossover Connection



6½"

Woofer mounting

5¼"



### Surface mounting

