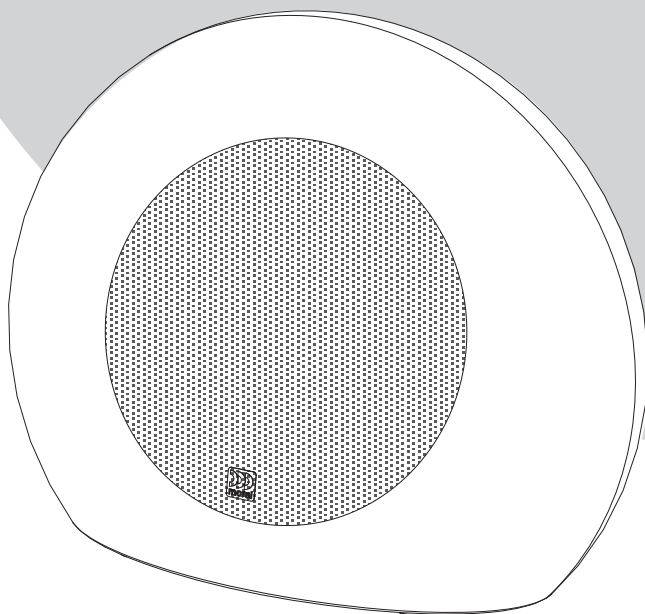
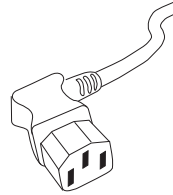
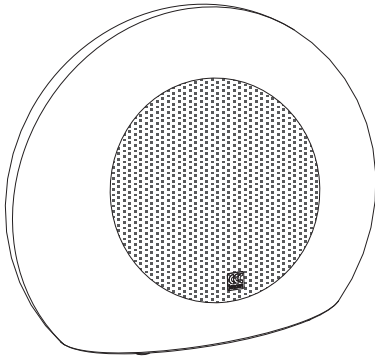


SOUNDSUB PSW10

SUBWOOFER OWNERS MANUAL



Content



SoundSub PSW10 Subwoofer

Powered active subwoofer, 10" slim round design. The SoundSub PSW10 is a shallow, compact, reflex-loaded subwoofer. It is designed to deliver a full bass impact along with the explosive dynamics of a rich home theater experience.

This subwoofer is suitable for any home theater system, an emphasis has been placed on ideal acoustic integration with the Morel SoundSpot speakers. The SoundSub PSW10 is driven by a high-quality 200W amplifier.

The amplifier offers all the features desirable in a home theater system, including an automatic on/off switch, volume control, phase control, and crossover point control, which allows seamless system integration.

Safety Instructions



Read The Instructions

Please read all safety and operating instructions carefully before using or connecting your SoundSub™ subwoofer

Output level

Before operating, set the Subwoofer output level knob to minimum

Power Switch

Before plugging in the AC power cord, set the power switch to off

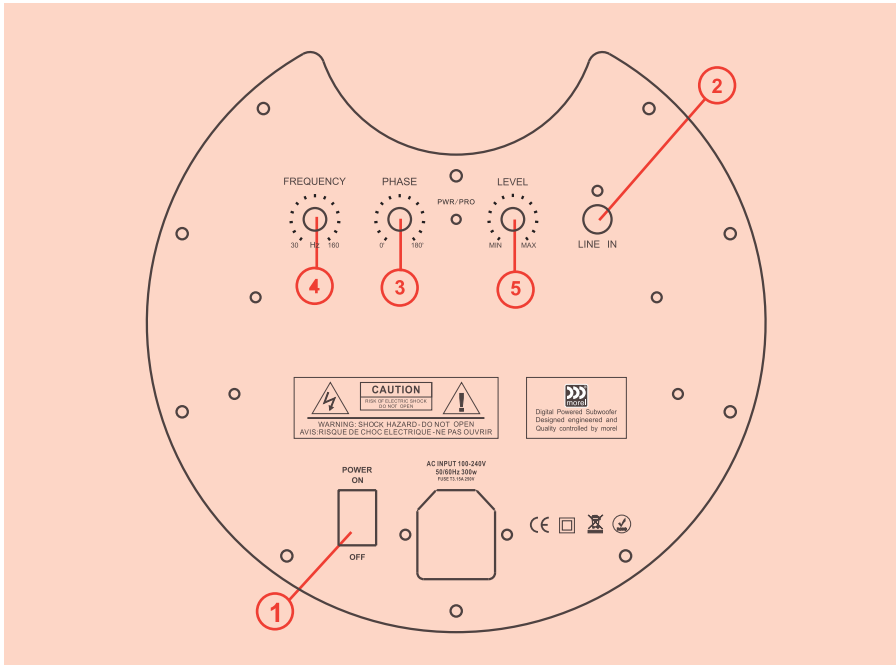
Water and Moisture

to reduce the risk of fire or electric shock, do not expose this appliance to rain or moisture.

Service

Please do not attempt to service to appliance beyond the steps described within the operating instructions
All other servicing should be referred to a qualified service technician.

SoundSub PSW10 Amplifier Controls



1. Main Power switch

The PSW10 amplifier has its main breaker switch at the bottom left corner, next to the power cord inlet. It consists of an ON/OFF switch. The main power switch has to be in the ON position in-order for the unit to become operational. If power switch position is selected, the SoundSub PSW10 will become operational as soon as it receives an audio signal. It will turn itself off several minutes after the audio signal is switched off. The led light changes color as subwoofer automatically switches to stand by mode.

2. RCA input/output jack.

The (line in) RCA input terminals of the subwoofer amplifier connects (via single RCA cable) the unit to your amplifier/receiver subwoofer out.

3. PHASE control

The phase control allows phase adjustment of the subwoofer to match that of the other speakers in your home theater system. With the system turned on, turn the phase control first to one extreme then to the other, and leave it in the position at which the bass level in your room sounds strongest and deepest.

4. CROSSOVER control

The crossover control determines the range of frequencies your subwoofer will reproduce. When turned to 40Hz, the subwoofer will only issue the lowest bass frequencies. As you turn the knob towards 160Hz, the subwoofer will reproduce a wider frequency range. When the crossover control is adjusted correctly, the subwoofer, together with the other speakers will sound as one balanced system, reproducing the entire range of frequencies.

5. LEVEL control

The level control adjusts the bass level of your subwoofer.

Adjust your required level of bass relative to the sound reproduced by the other speakers in the system. The bass level reproduced by the subwoofer will change, following the volume control setting on your amplifier/receiver, maintaining the relative level set by this control.

SoundSub PSW10 Specifications

SPECIFICATIONS	SOUNDSUB PSW10
Construction	Fiberglass composite resin
Dimensions (∅)	17.4"x14.4"x10" (443mm x 370mm x 253mm)
Drive Units	One 10"(254mm) Flat-profile woofer with 2"(50)mm voice coil and rear-vented magnet motor
Frequency Response	25-160Hz
Amplifier	200W, continuous power, all formats compatible with automatic on/off switch, level,crossover,and phase controls
Input	Line-level RCA phono jack
Voltage	100-240VAC 50/60Hz with main supply automatic voltage selector
Net weight	33lbs (15kgs)

Power Connection Guidelines



Before making connections it is advisable to ensure that all AC power cords of the components you are interconnecting are unplugged from the wall outlets during the connection process.

As operating, the auto voltage selector will automatically adjust the PSW10 subwoofer to 115V or 230V, according to the power supply in your country.



www.morelhifi.com